

4

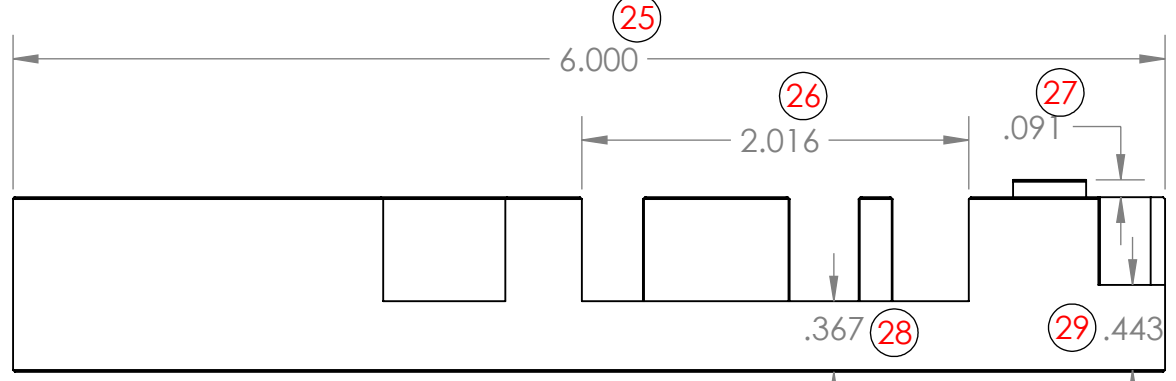
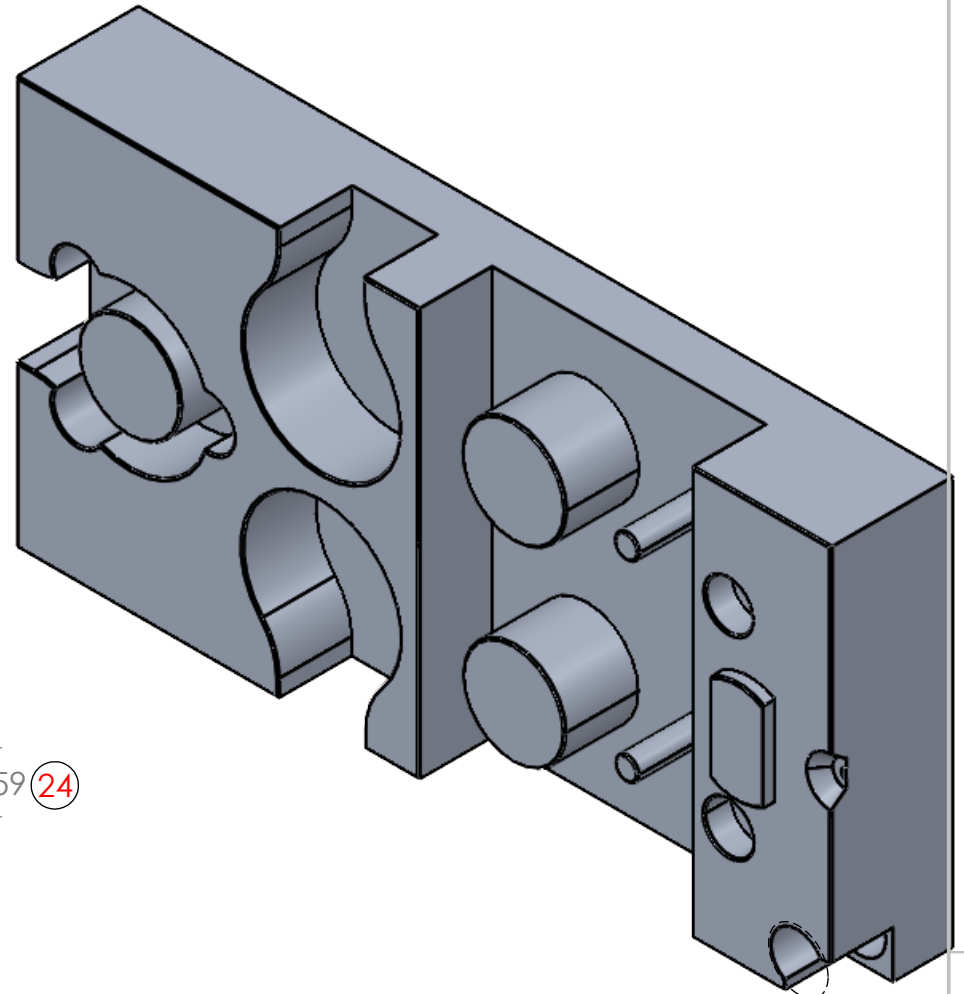
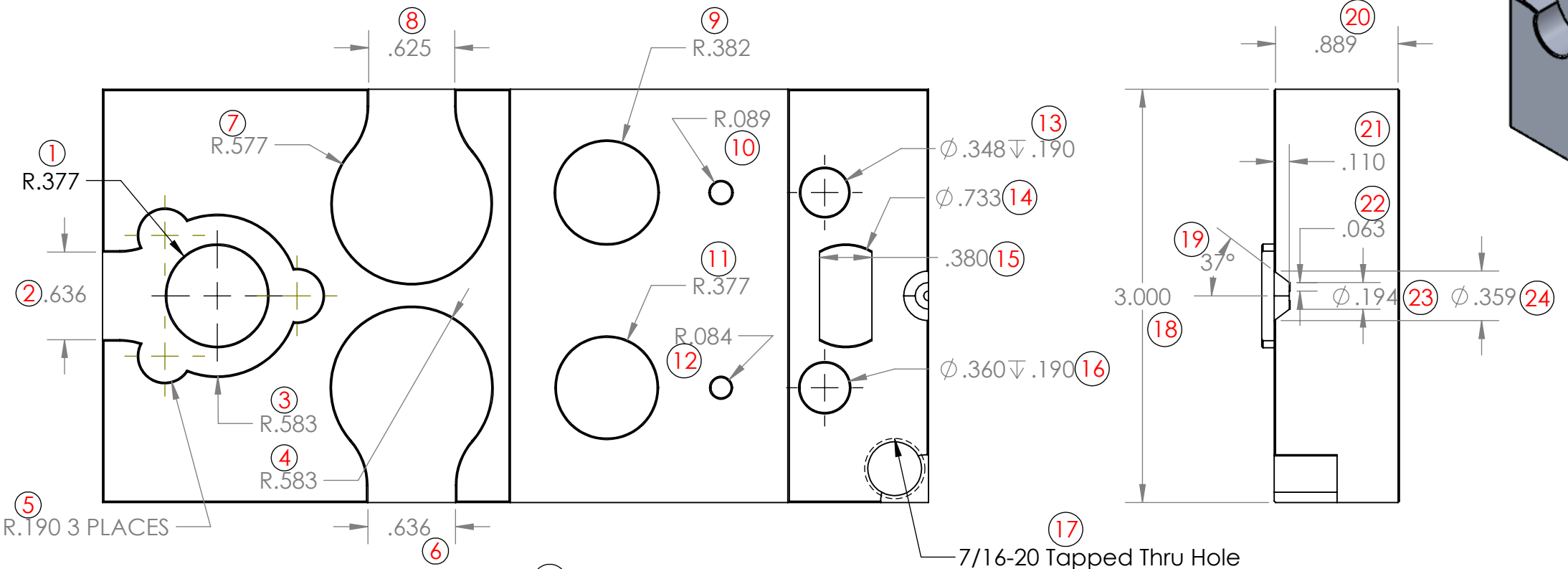
3

2

1

B

B



NOTE: 45°, 0.01" CHAMFER ON ALL EDGES

ITEM NO.	PART NUMBER	DESCRIPTION	QTY.
1	TBC6EM1033-27 T1	Drain Adapter Valve Inspection Gauge	1

UNLESS OTHERWISE SPECIFIED:		NAME	DATE	CONFEDERATION COLLEGE
DIMENSIONS ARE IN INCHES TOLERANCES: FRACTIONAL: $\pm 1/64$ ANGULAR: $\pm 0.25^\circ$ TWO PLACE DECIMAL: ± 0.02 THREE PLACE DECIMAL: ± 0.003		DRAWN	KAI FL 13/12/24	
INTERPRET GEOMETRIC TOLERANCING PER:		CHECKED		Drain Adapter Valve Inspection Gauge
MATERIAL		ENG APPR.		
6061 Alloy		MFG APPR.		SIZE
FINISH		Q.A.		DWG. NO.
NEXT ASSY	USED ON	COMMENTS:		B TBC6EM1033-27 T1
APPLICATION		DO NOT SCALE DRAWING		REV
				A
				SCALE: 1:1
				WEIGHT: 1.128
				SHEET 2 OF 2

PROPRIETARY AND CONFIDENTIAL
THE INFORMATION CONTAINED IN THIS DRAWING IS THE SOLE PROPERTY OF <INSERT COMPANY NAME HERE>. ANY REPRODUCTION IN PART OR AS A WHOLE WITHOUT THE WRITTEN PERMISSION OF <INSERT COMPANY NAME HERE> IS PROHIBITED.

4

3

2

1

A

A